

## Automatic Pressure Pump

## POWER

High flow rates at a variety of outlets  
Smooth Constant Flow  
Self Priming Up To 3m (10ft)

## PERFORMANCE

Quiet Operation  
Automatic Operation - Plug 'n' Play  
Easy Installation - Suitable For 15mm Quick Connect Plumbing or ½" threaded hose connections  
Suitable For Use With Salt or Fresh Water

## PLUS PROTECTION

Fully Sealed Protective Motor Housing  
Completely Integrated Electronics  
IP65 Rated - No Water Ingress  
Runs Dry Without Damage  
Includes strainer to protect pump from debris



Product Code	FW0814	FW1214	FW1215	FW1225
Open Flow Rate (per min)	8ltrs (2.0 US GPM)	11.5 ltrs (3.0 US GPM)		
Number of Outlets	1 - 2 outlets	3 - 4 outlets		
Voltage	12 V d.c.			24 V d.c.
Max. System Pressure	2 bar (30psi)		3 bar (45psi)	
Hose Connections	Whale® Quick Connect 15mm Female Connections 2 x ½" Threaded Connectors and 2 x ½" Barbed Connectors included			
Recommended Fuse Size	5 Amp Automotive	7.5 Amp Automotive	7.5 Amp Automotive	5 Amp Automotive
Current Draw	4 amps	6 amps	6 amps	3.5 amps
Weight	3.3lbs			



### POWER

High flow rates at a variety of outlets  
 Self Priming Up To 3m (10ft)  
 Smooth Constant Flow



### PERFORMANCE

Quiet Operation  
 Automatic Operation - Plug 'n' Play  
 Easy Installation - Suitable For 15mm Quick  
 Connect Plumbing or ½" threaded hose connections  
 Suitable For Use With Salt or Fresh Water

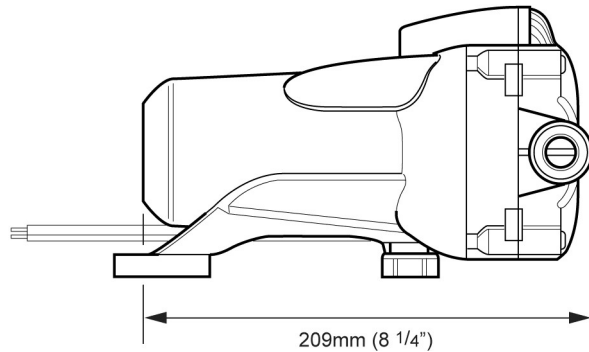
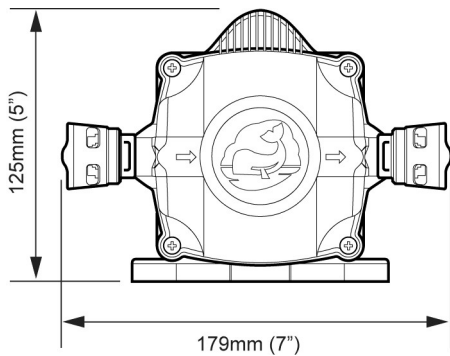
**PLUS**

### PROTECTION



Fully Sealed Protective Motor Housing  
 Completely Integrated Electronics  
 IP65 Rated - No Water Ingress  
 Runs Dry Without Damage

Includes strainer to protect pump from debris



### Typical Installation

