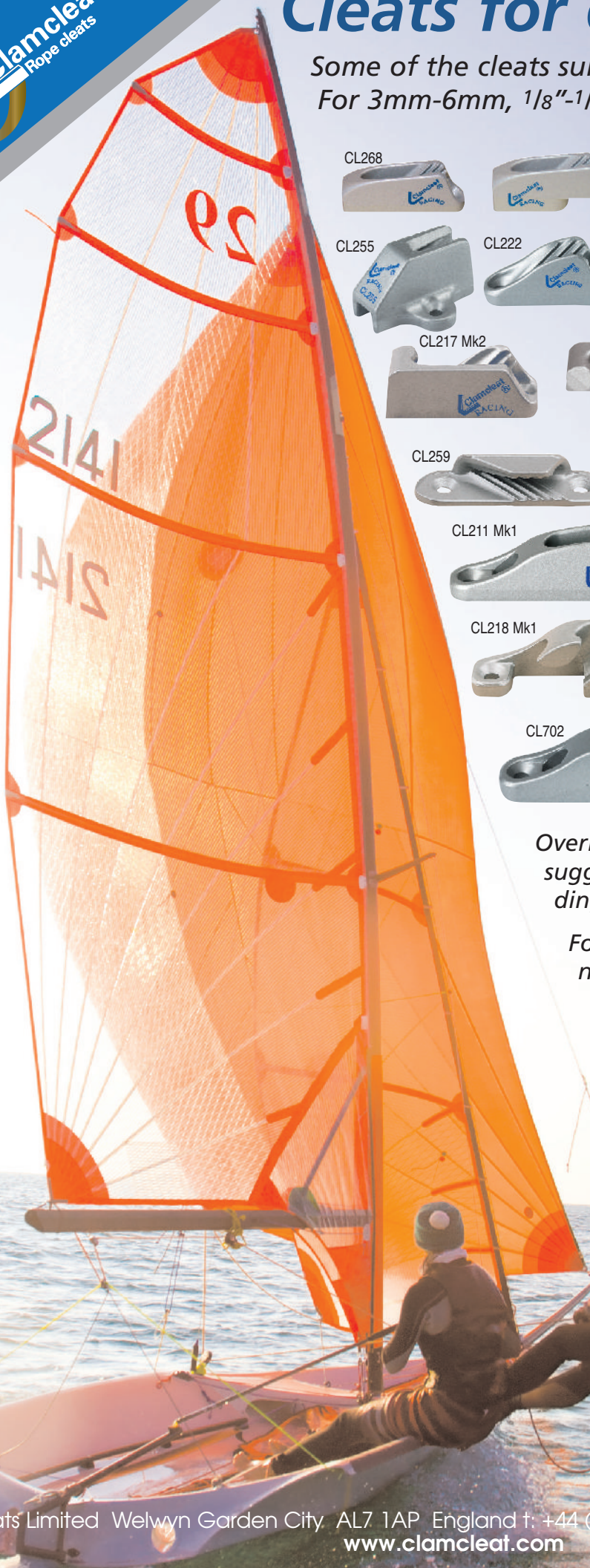


Cleats for dinghy masts

Some of the cleats suitable for use on dinghy masts.
For 3mm-6mm, 1/8"-1/4" diameter ropes.



Overleaf are some recommendations and suggestions on how to use our cleats on dinghy masts.

For more information, search by cleat number on www.clamcleat.com

*All these cleats are also available with a hard anodised finish.
For example CL278 = silver,
CL278AN = hard anodised.*

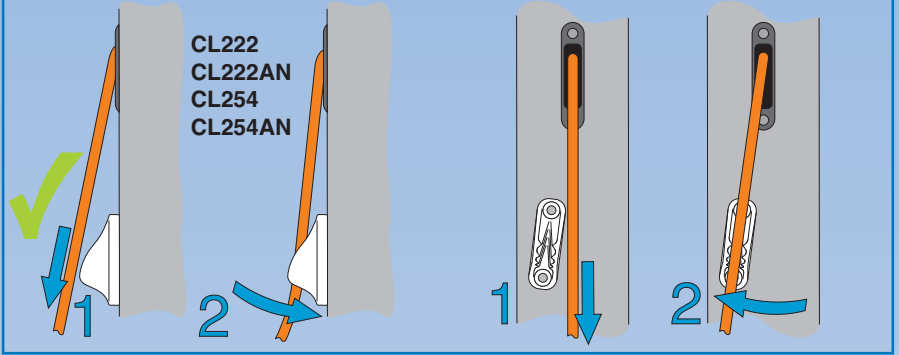
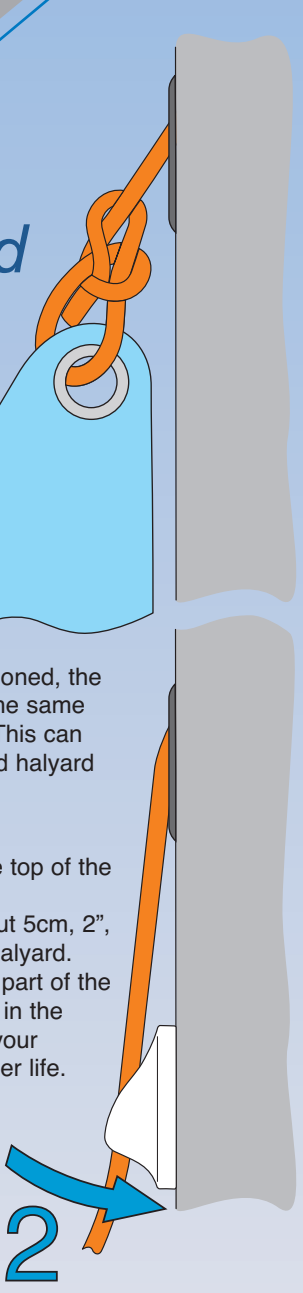
Cleats for dinghy masts

Ideas and suggestions

Halyard rope wear

When correctly tensioned, the cleat always holds the same part of the halyard. This can cause rope wear and halyard slip.

Suggestion:-
Every year, untie the top of the halyard from the sail headboard. Cut about 5cm, 2", from the top of the halyard. Re-fix to sail. A new part of the rope is then gripped in the cleat. This will give your halyard a much longer life.



Always tension the halyard before putting in the cleat.

Cleat can be fixed slightly off-centre. Tension halyard then move across to cleat.

